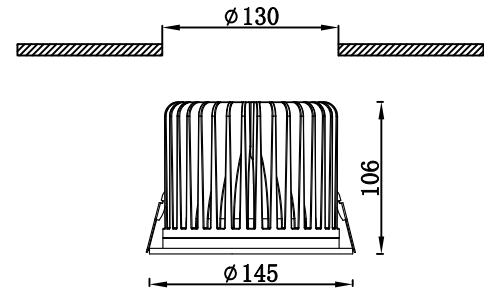
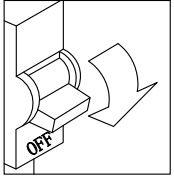
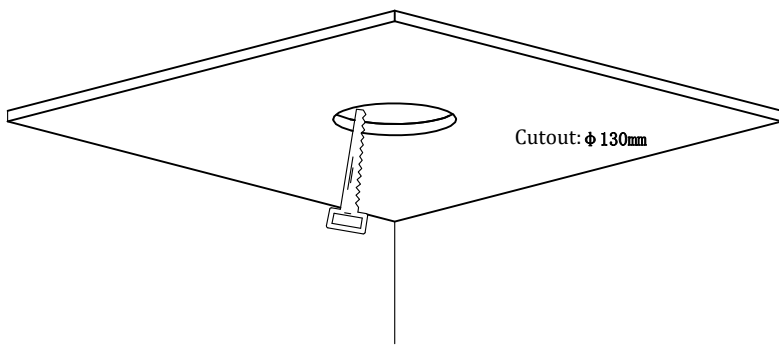


Please read the instruction manual before installation.
 Please turn off the power supply before installation, operated by professional personnel.
 Once the ceiling is not strong enough, suggest to use self-made wooden frame for connecting.
 Avoid using wet cloth to clean the fitting.
 The light source of this product is not replaceable, when damaged or reached the service life should be replaced, and do a good job of recycling.
 Please do not assemble the product without authorization, any damage caused by disassembling without authorization will no longer be covered by the warranty.



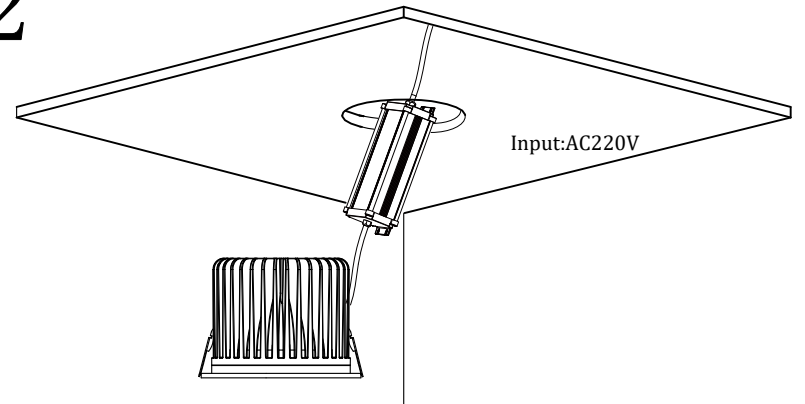
Note: Only the main model No. is shown in the manual.
 This manual is common to all types of luminaires in the same series.

1



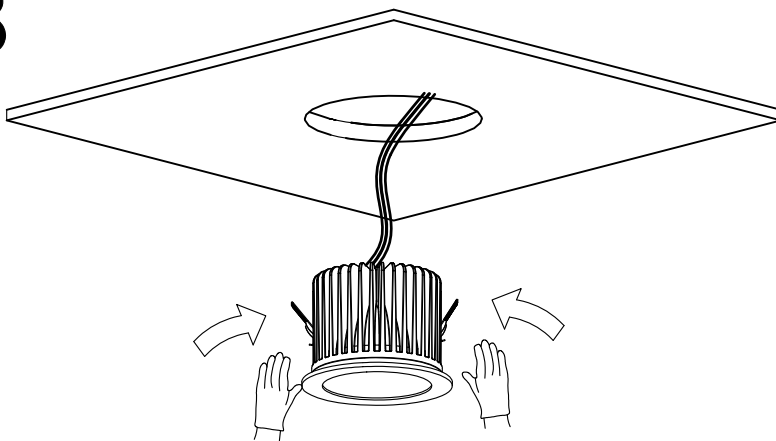
Open the mounting hole on ceiling according to the cutout size, this product is suitable for the thickness of 1-20mm of ceiling.

2



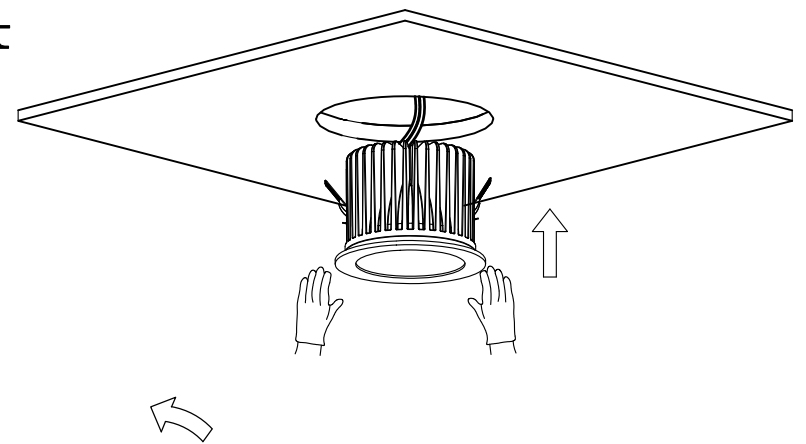
Instruction marked on the driver, and do the insulation protection well. (Standard product input voltage: AC220V 50/60Hz)

3



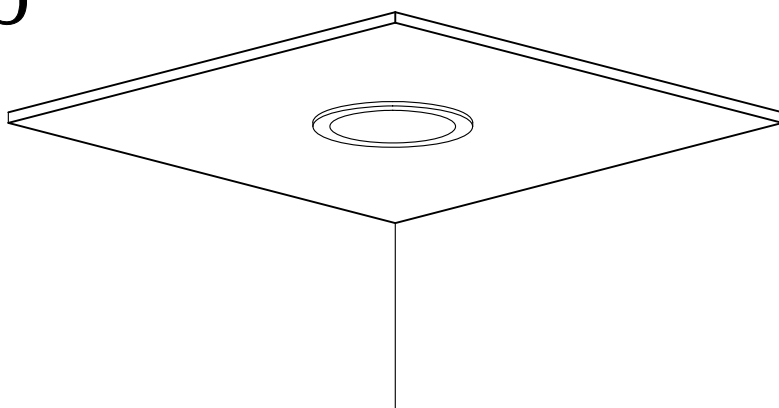
Break the spring upward in the direction indicated by the arrow.

4



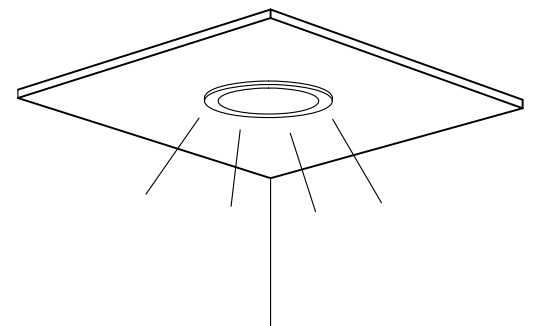
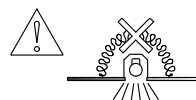
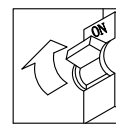
Press the mounting spring into the cutout in the ceiling and push the luminaire in.

5



The installation is completed until the frame is flat with the ceiling.

6



Turn on the power supply, lights up.

Warning: The fitting should be never covered by insulation gasket or similar materials under any circumstance. Please ensure that the wires are connected correctly before turning on the power supply. Do not look emitting lights directly to avoid burning your eyes.