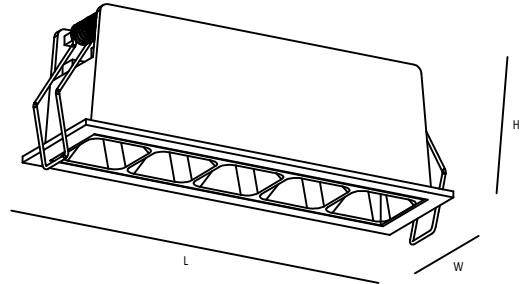
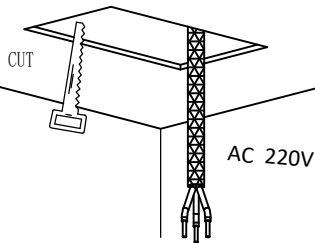


Please read the instruction manual before installation.
Please turn off the power supply before installation, operated by professional personnel. Once the ceiling is not strong enough, suggest to use self-made wooden frame for connecting.
Avoid using wet cloth to clean the fitting.
The light source of this product is not replaceable, when damaged or reached the service life should be replaced, and do a good job of recycling.
Please do not assemble the product without authorization, any damage caused by disassembling without authorization will no longer be covered by the warranty.



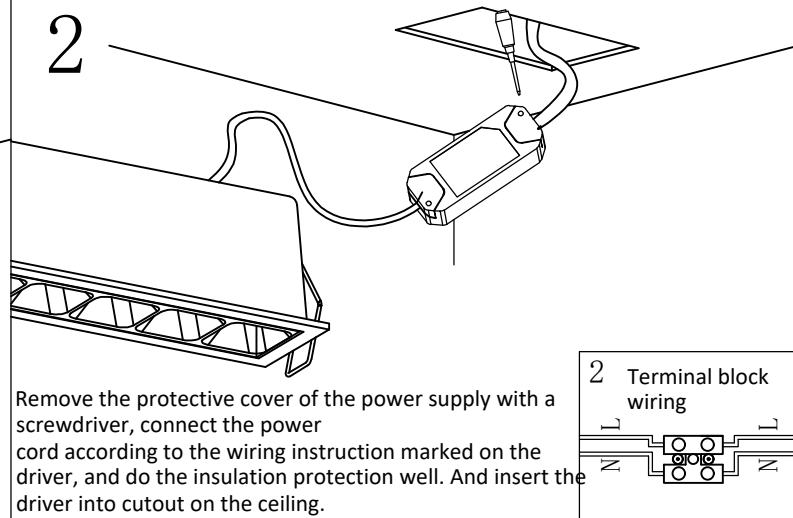
Model	Input	Dimension(mm)	Cutout(mm)	Remark
81032898.1T	AC 220V~240V	L45*W45*H49	37*37	
81032898.3T	AC 220V~240V	L75*W45*H49	68*37	
81032898.5T	AC 220V~240V	L147*W45*H49	140*37	
81032898.9T	AC 220V~240V	L280*W45*H49	273*37	
81032898.15T	AC 220V~240V	L413*W45*H49	405*37	

1

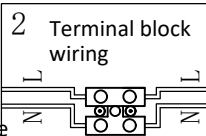


Open the mounting hole on ceiling according to the cutout size, and pass the wires through the hole.

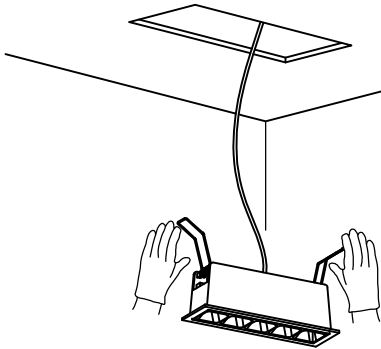
2



Remove the protective cover of the power supply with a screwdriver, connect the power cord according to the wiring instruction marked on the driver, and do the insulation protection well. And insert the driver into cutout on the ceiling.

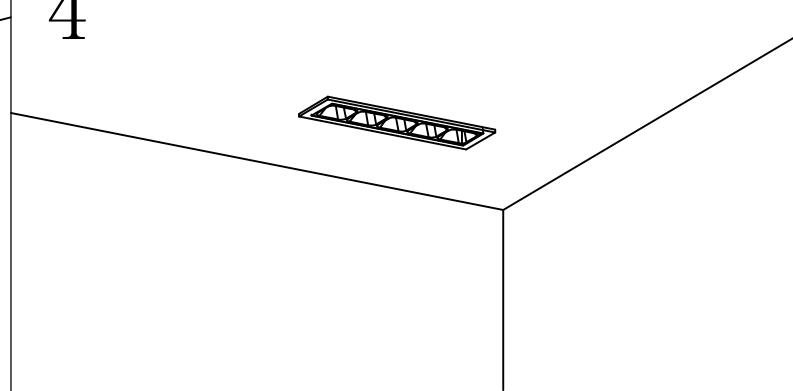


3



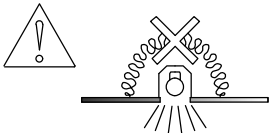
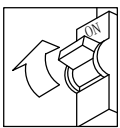
Press the mounting spring into the cutout in the ceiling and push the luminaire in.

4

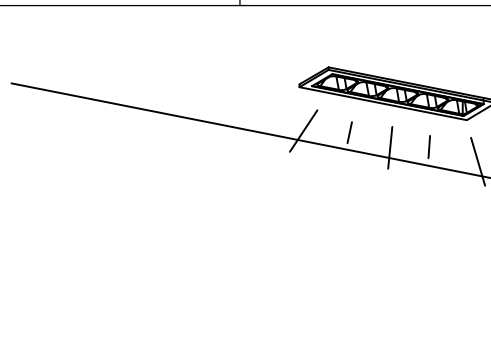


The installation is completed until ceiling.

5



Turn on the power supply, lights up.



Warning: The fitting should be never covered by insulation gasket or similar materials under any circumstance. Please ensure that the wires are connected correctly before turning on the power supply. Do not look emitting lights directly to avoid burning your eyes.