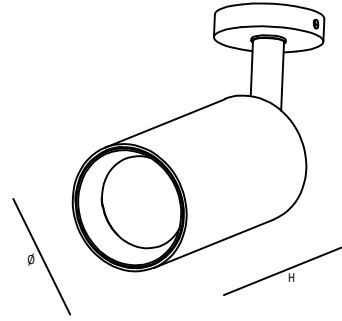
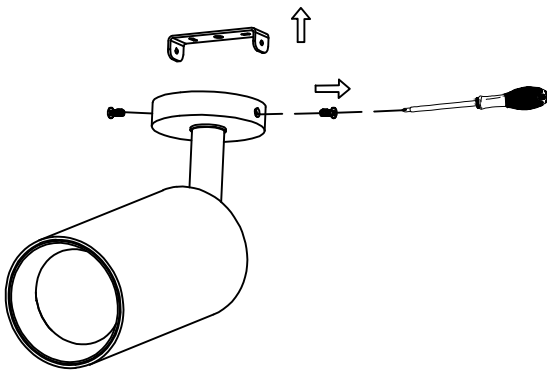


Please read the instruction manual before installation.
Please turn off the power supply before installation, operated by professional personnel.
Once the ceiling is not strong enough, suggest to use self-made wooden frame for connecting. Avoid using wet cloth to clean the fitting.
The light source of this product is not replaceable, when damaged or reached the service life should be replaced, and do a good job of recycling.
Please do not assemble the product without authorization, any damage caused by disassembling without authorization will no longer be covered by the warranty.



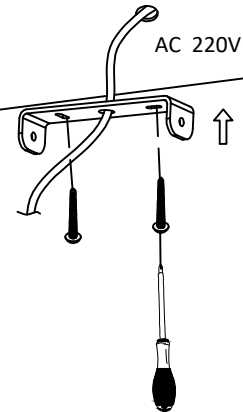
Model	Input	Dimension(mm)	Cutout(mm)	Remark
82000018 82018958	AC 220V~240V	Ø56*H150	N/A	
82018958 82018838	AC 220V~240V	Ø83*H160	N/A	

1



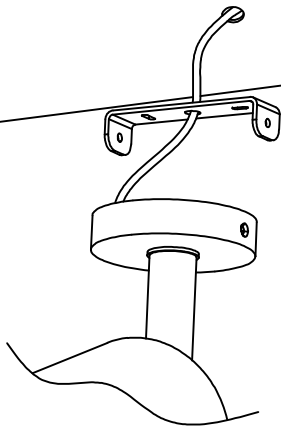
Take off the mounting bracket of fitting.

2

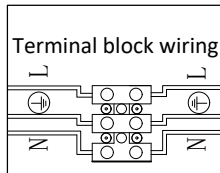


Thread the wire through the hole of bracket, and fasten the bracket with screws on the ceiling.

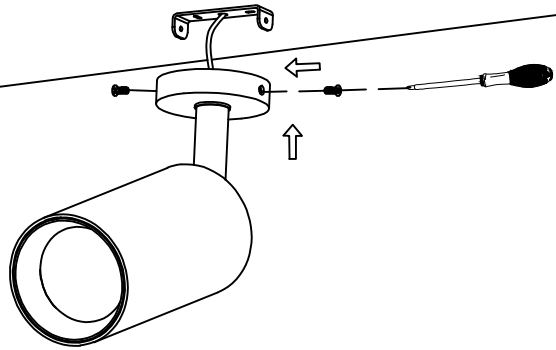
3



Connect the power cord according to the wiring instruction marked on the driver cable and do the insulation protection well.

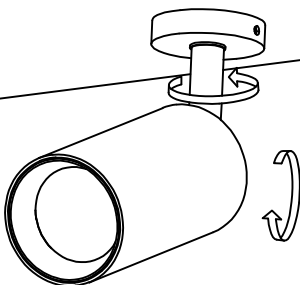


4



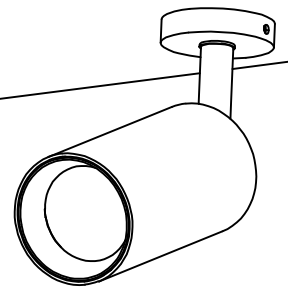
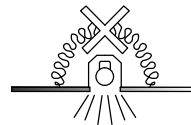
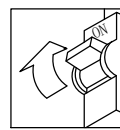
Insert the extra wire into ceiling first, then fix the fitting on the bracket with screws.

5



After installation, adjust the rotation angle as required. Rotate 355° and tilt 90°.

6



Turn on the power supply, lights up.

Warning: The fitting should be never covered by insulation gasket or similar materials under any circumstance.
Please ensure that the wires are connected correctly before turning on the power supply. Do not look emitting lights directly to avoid burning your eyes.